

DC Fan Motors

SAN ACE □ **52mm**
MICRO ACE

Best suited for reliable, compact precision equipment

General specifications

- Motor protection system ··· Current cut system (with reverse-connection protection)
- Dielectric strength ······ 50/60 Hz, 500 VAC, 1 minute
(between lead conductor and frame)
- Operating thermally range · -10°C to +60°C (non-condensing)
- Fan power lead ········ A and H speeds, ⊕ red, ⊖ black
M speed, ⊕ red, ⊖ blue



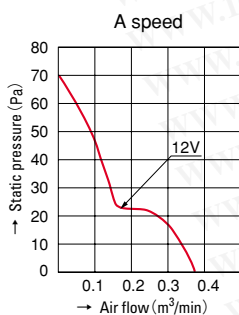
勝特力材料 886-3-5753170
 胜特力电子(上海) 86-21-34970699
 胜特力电子(深圳) 86-755-83298787
[Http://www.100y.com.tw](http://www.100y.com.tw)

15mm thick

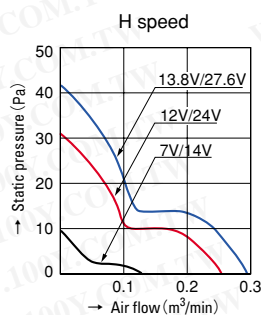
Specifications

Model No	Rated voltage (V)	Operating voltage range (V)	Rated current (A)	Rated input (W)	Rated rotating speed (min ⁻¹)	Air flow (m ³ /min)	Static pressure (Pa)	Noise (dB[A])	Mass (g)
109P0505M702	5	4.5~5.5	0.15	0.75	3,700	0.205	7.24	21.4	22
109P0512A702	12	10.2~13.8	0.21	2.52	6,800	0.375	13.25	69.7	36
109P0512H702		7~13.8	0.10	1.20	4,600	0.255	9.00	31.9	27
109P0512M702	24	14~27.6	0.07	0.84	3,700	0.205	7.24	21	22
109P0524H702			0.05	1.20	4,600	0.255	9.00	31.9	27
109P0524M702			0.04	0.96	3,700	0.205	7.24	21.4	22

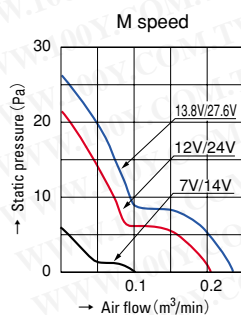
Typical air flow and static pressure characteristics



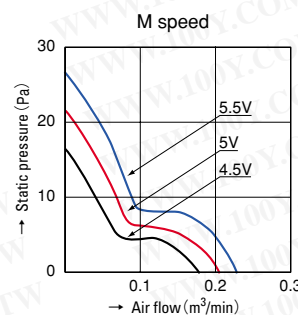
109P0512A702



109P0512H702
109P0524H702



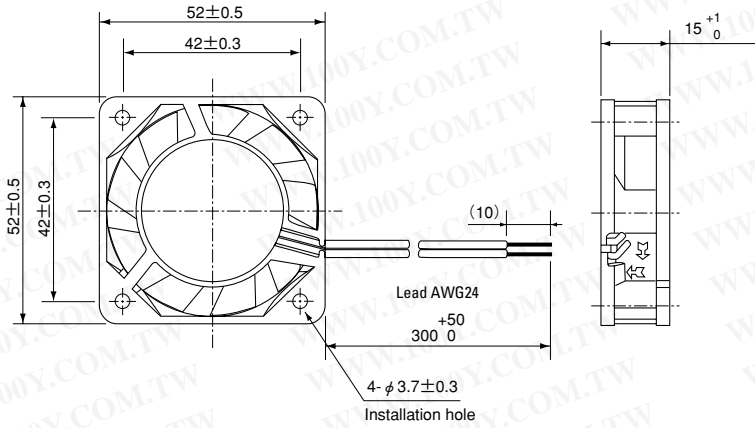
109P0512M702
109P0524M702



109P0505M702

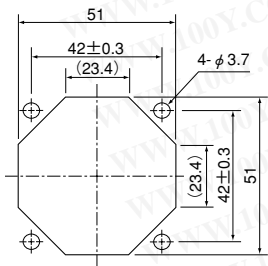
Dimensions (unit : mm)

勝特力材料 886-3-5753170
 勝特力电子(上海) 86-21-34970699
 勝特力电子(深圳) 86-755-83298787
[Http://www.100y.com.tw](http://www.100y.com.tw)



Reference dimensional diagram for installation holes (unit : mm)

Discharge sides • Suction sides



52mm

SANYO DENKI